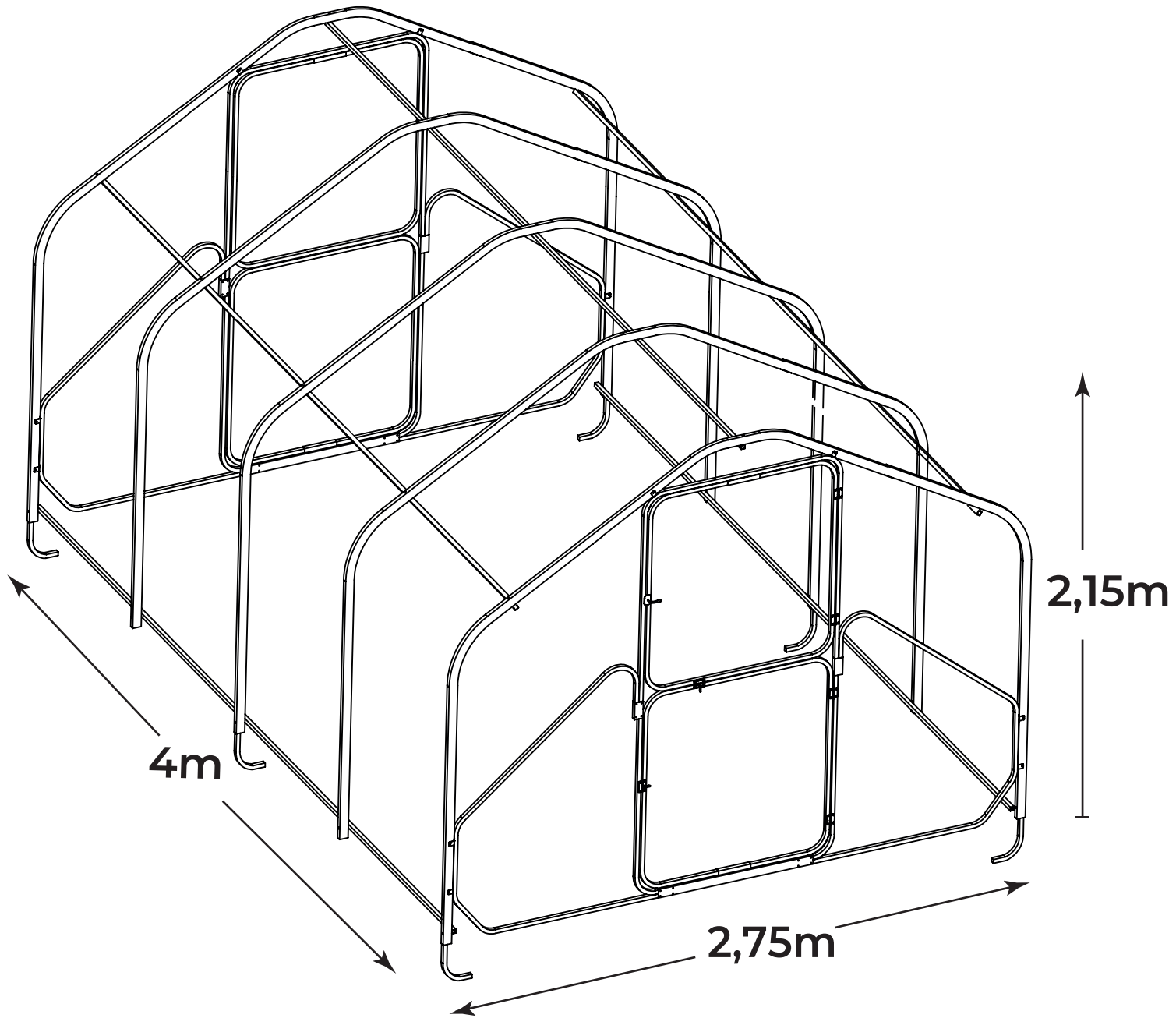
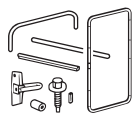


GREENHOUSE Domek 40x20

2,75x4: ←0,67→
←1,00→



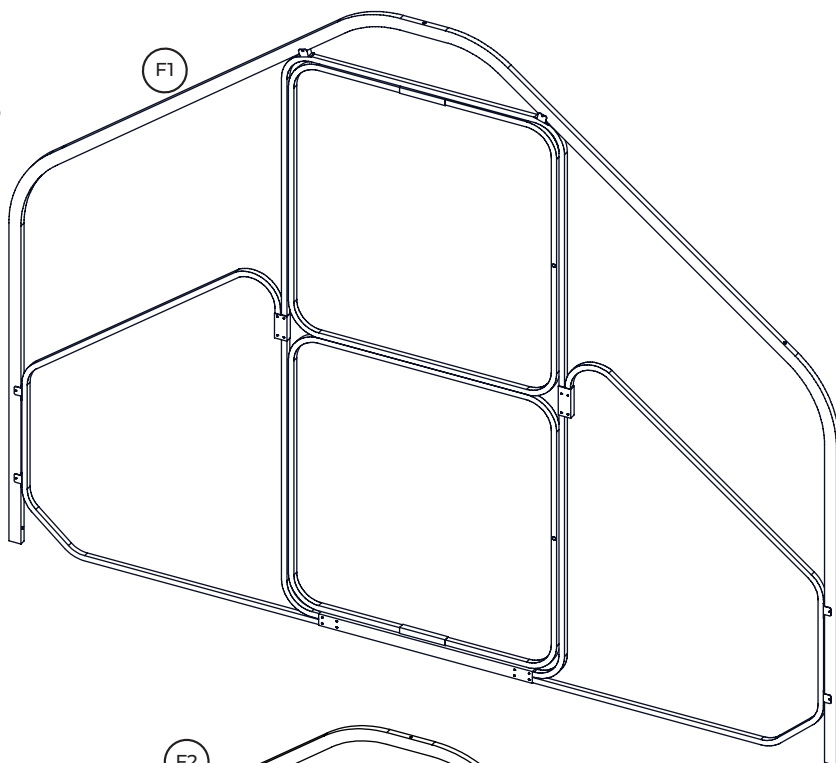
PACKAGE CONTENTS



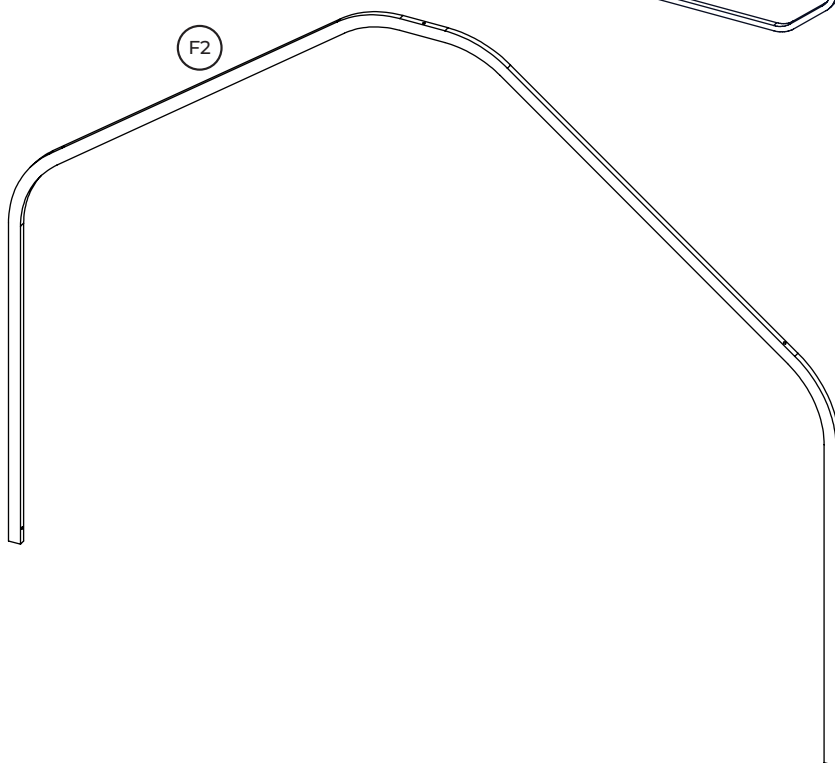
INCLUDED COMPONENTS
2,75x4

BASE

2x

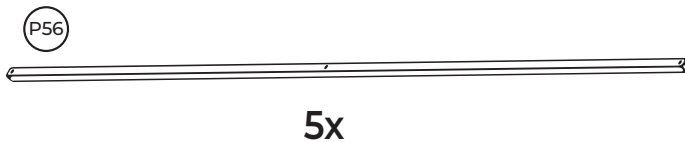


3x for ←1,00→
5x for ←0,67→



INCLUDED COMPONENTS
2,75x4

CROSSBARS START

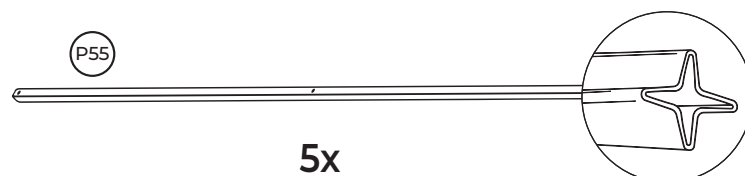


5x



INCLUDED COMPONENTS
2,75x4

CROSSBARS EXTENSION



5x



INCLUDED COMPONENTS

2,75x4

FASTENERS BASE

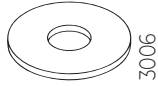


25x

+

for ←0,67→

10x



25x

+

10x



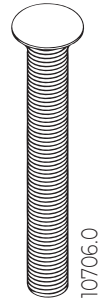
92x



184x

+

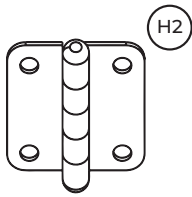
16x



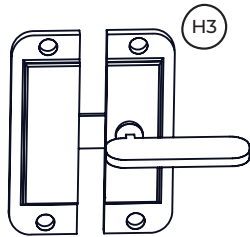
25x

+

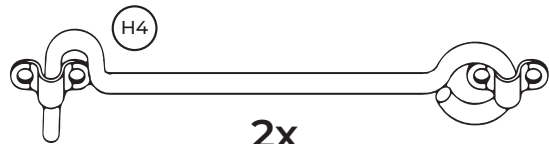
10x



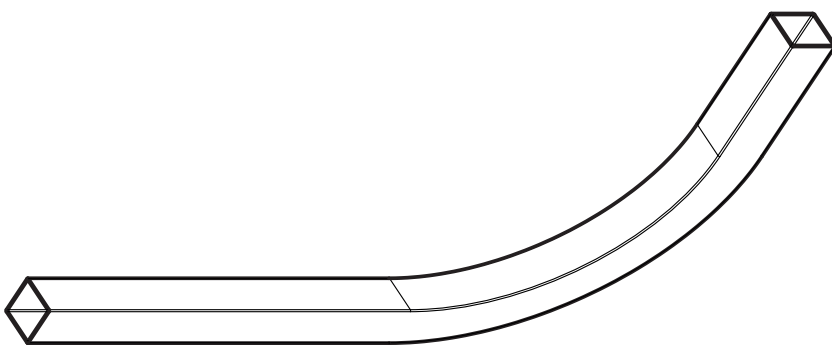
8x



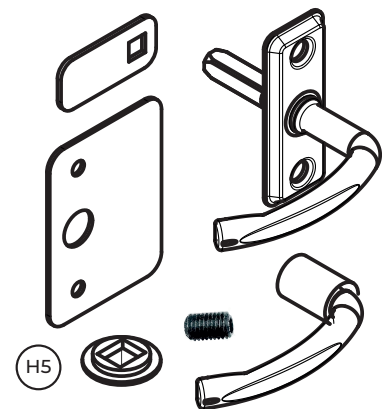
4x



2x

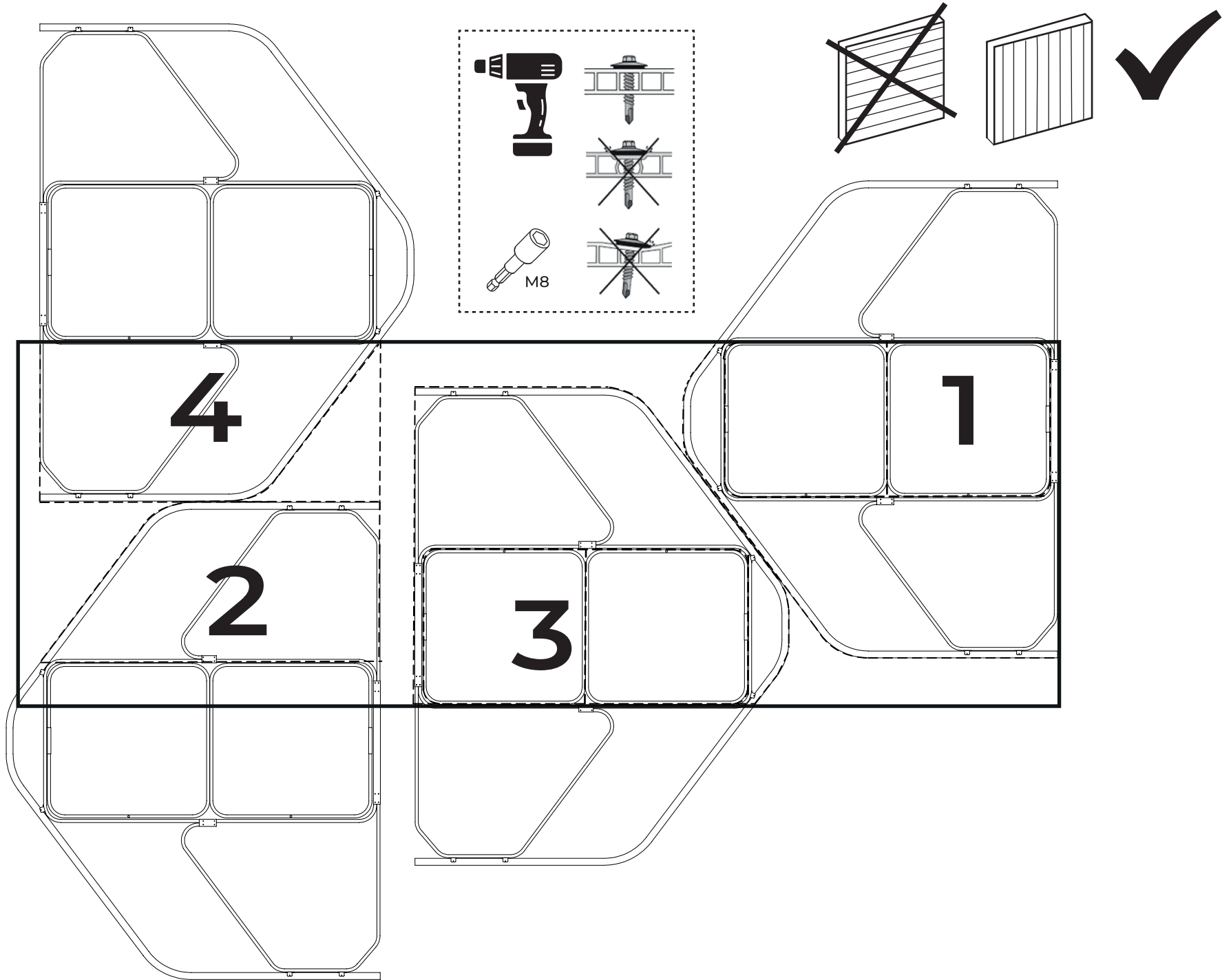


6x

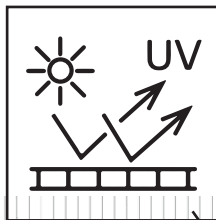


2x

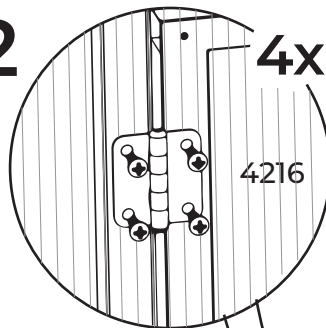
1



2



2



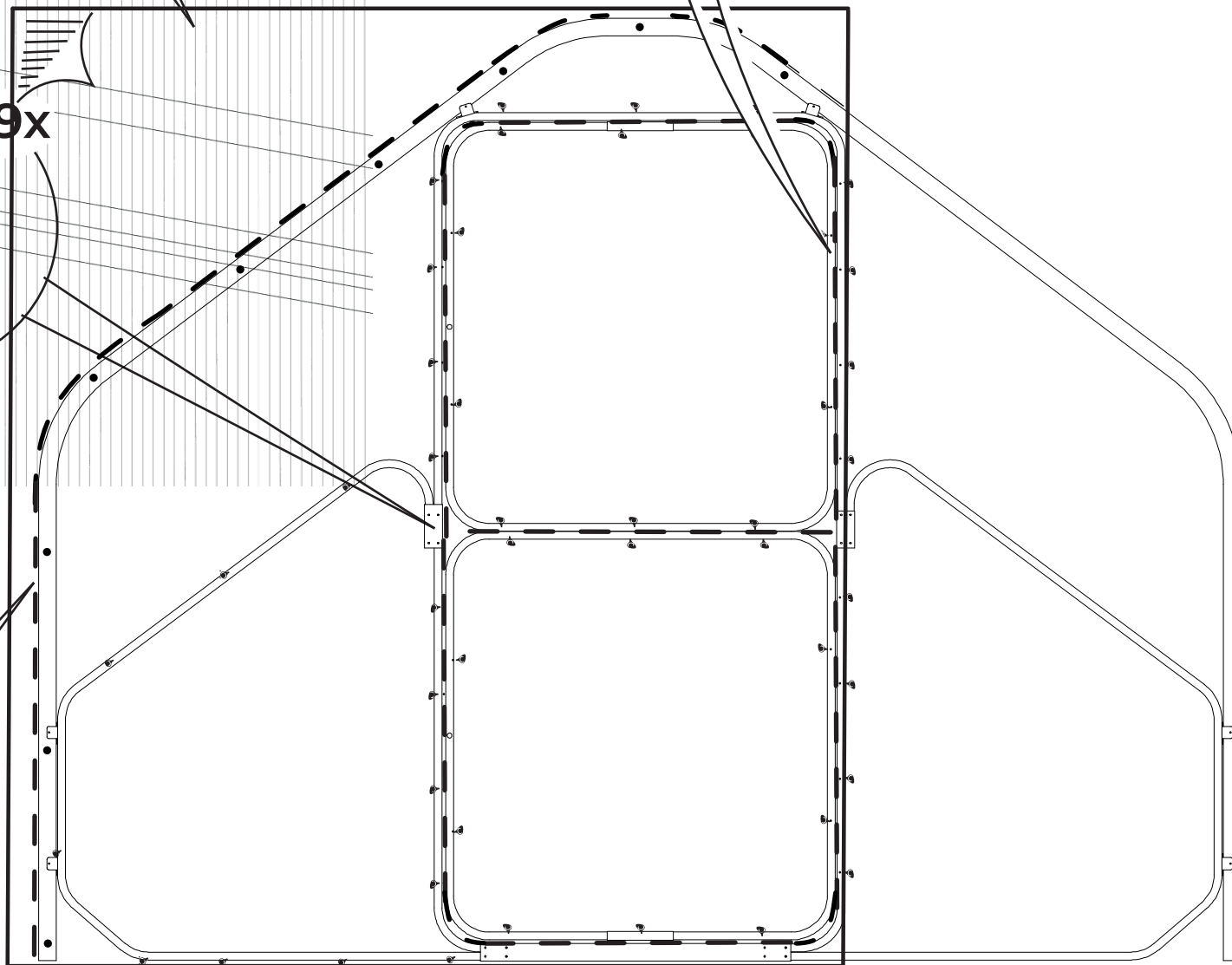
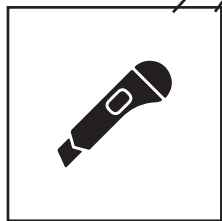
x144

1

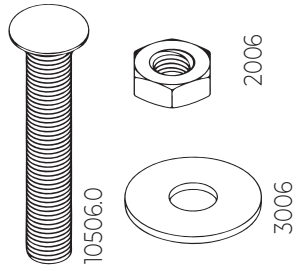
49x

40206

2x

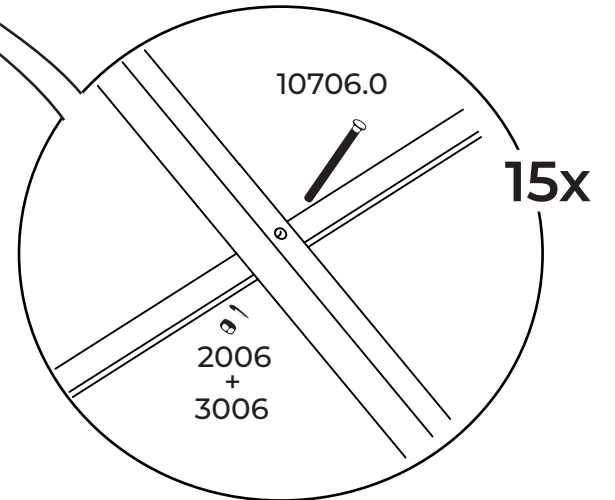
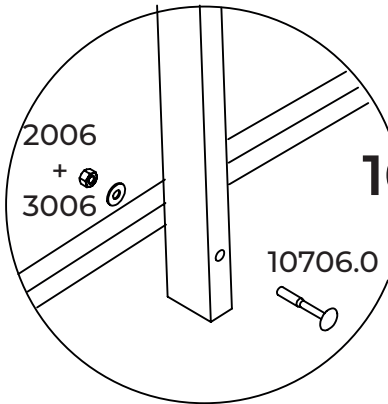
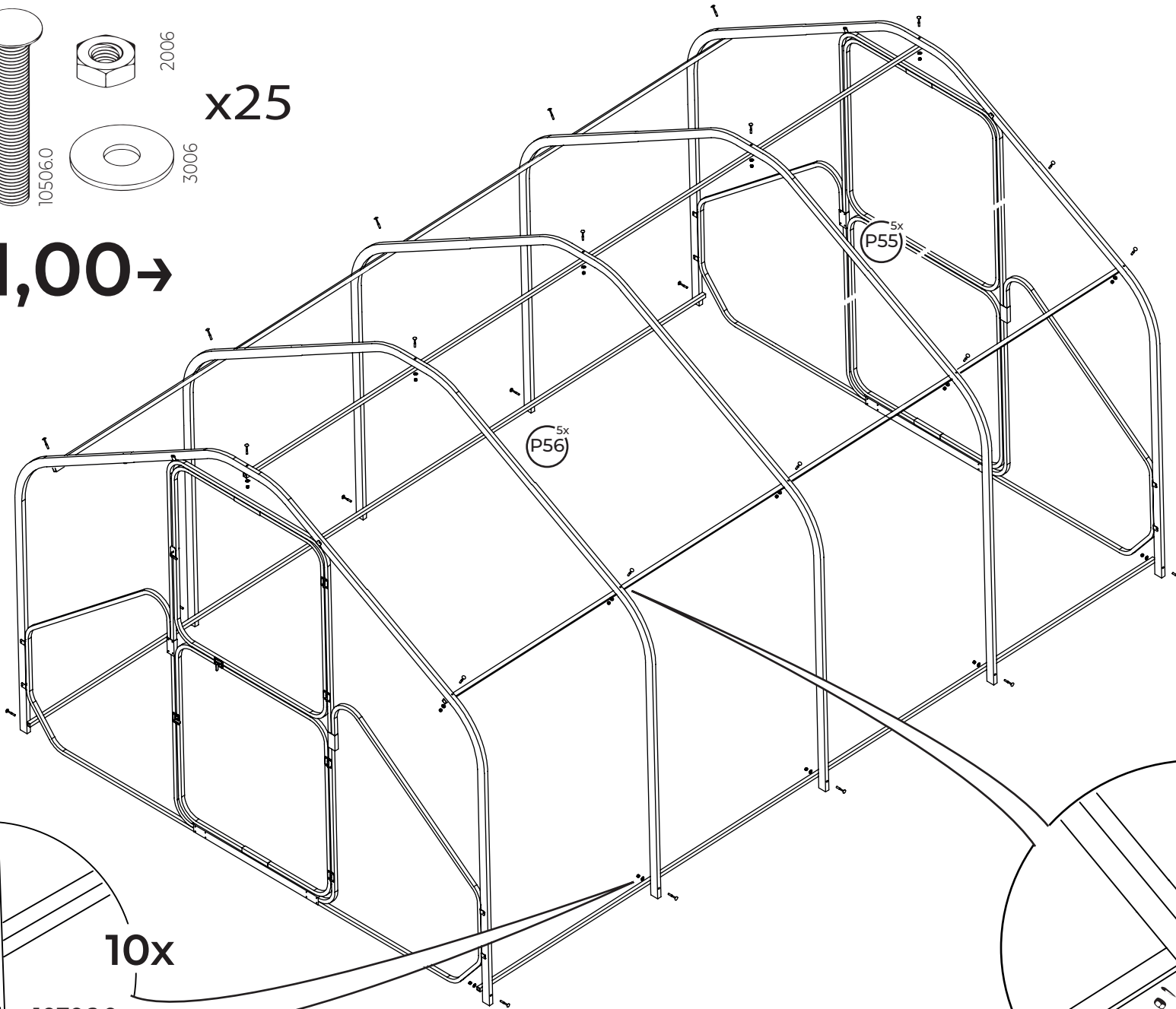
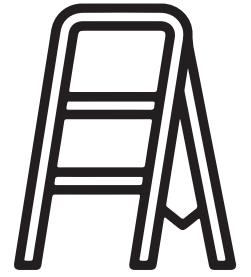


3

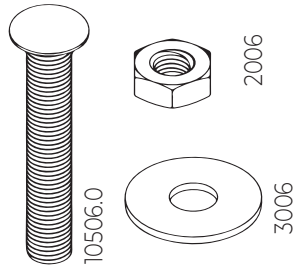


x25

for €1,00→

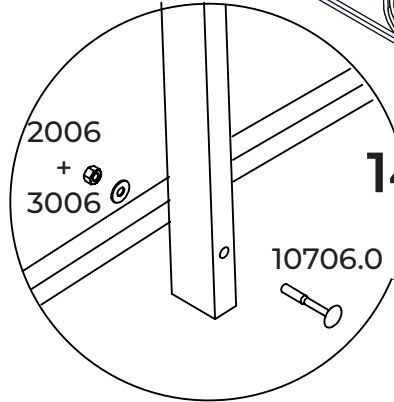
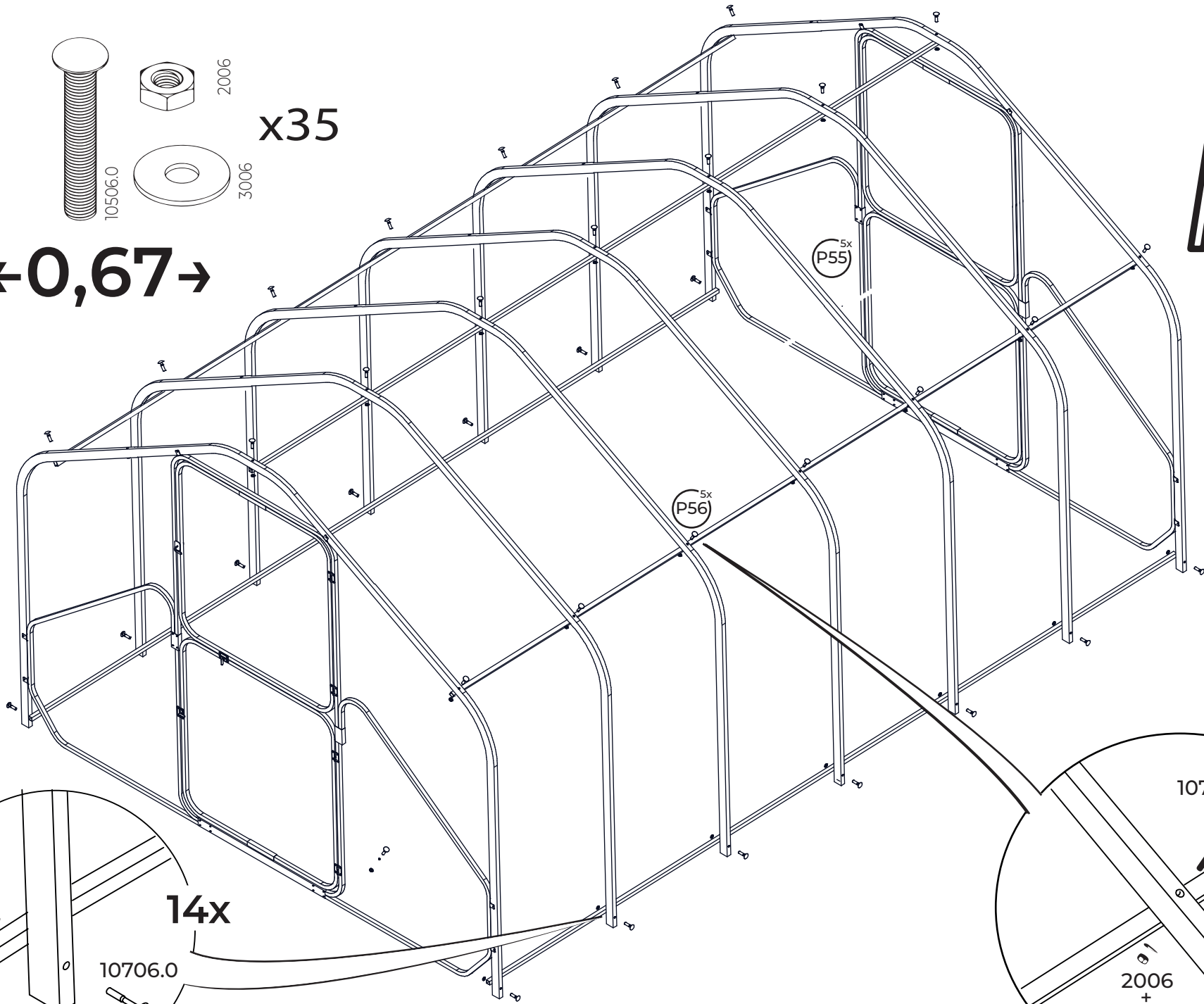
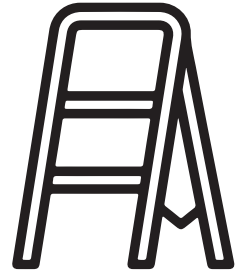


4

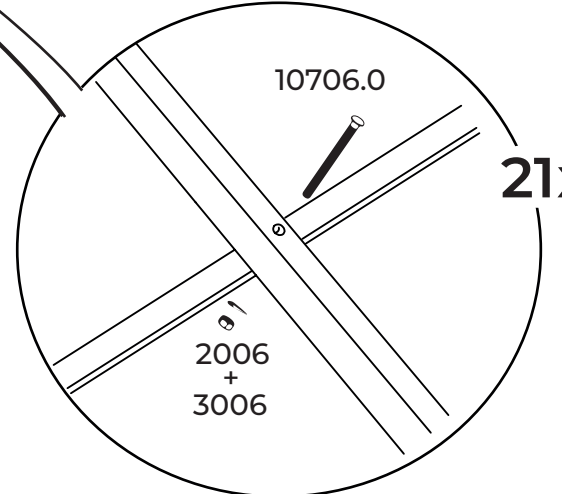


x35

for ←0,67→



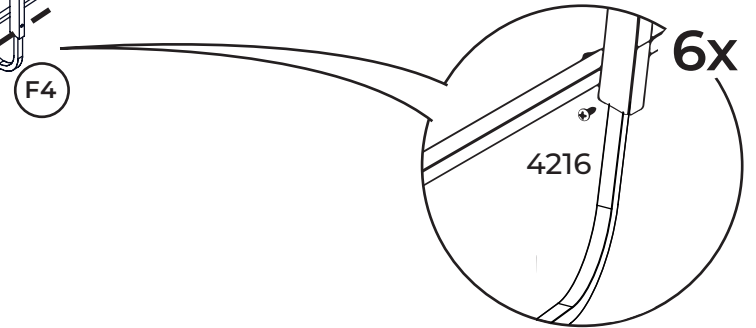
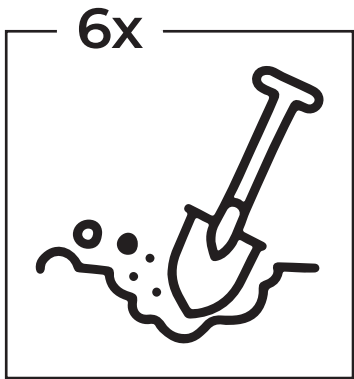
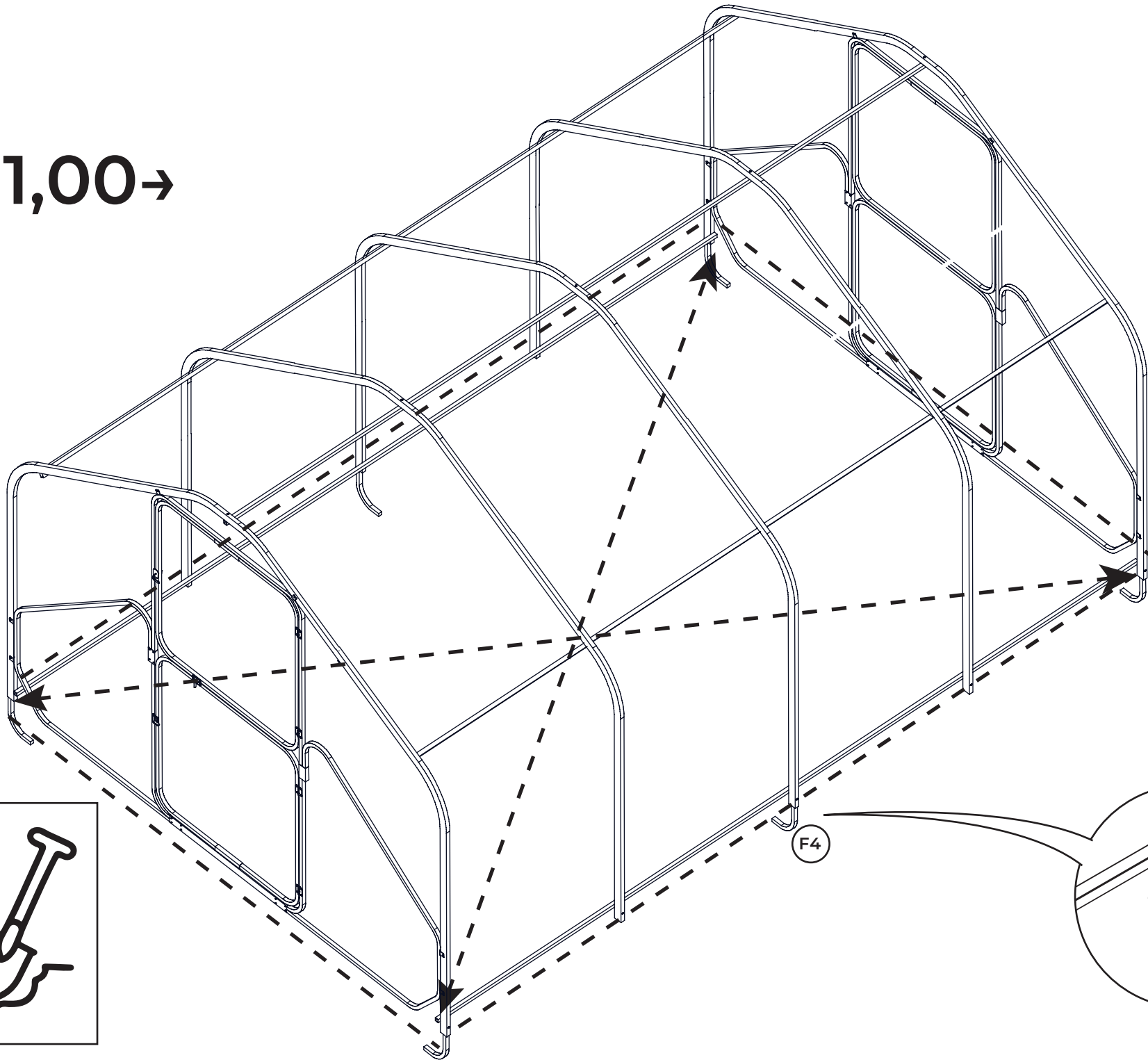
14x



21x

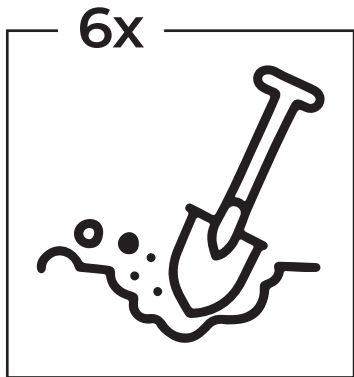
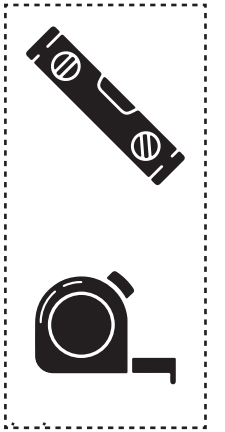
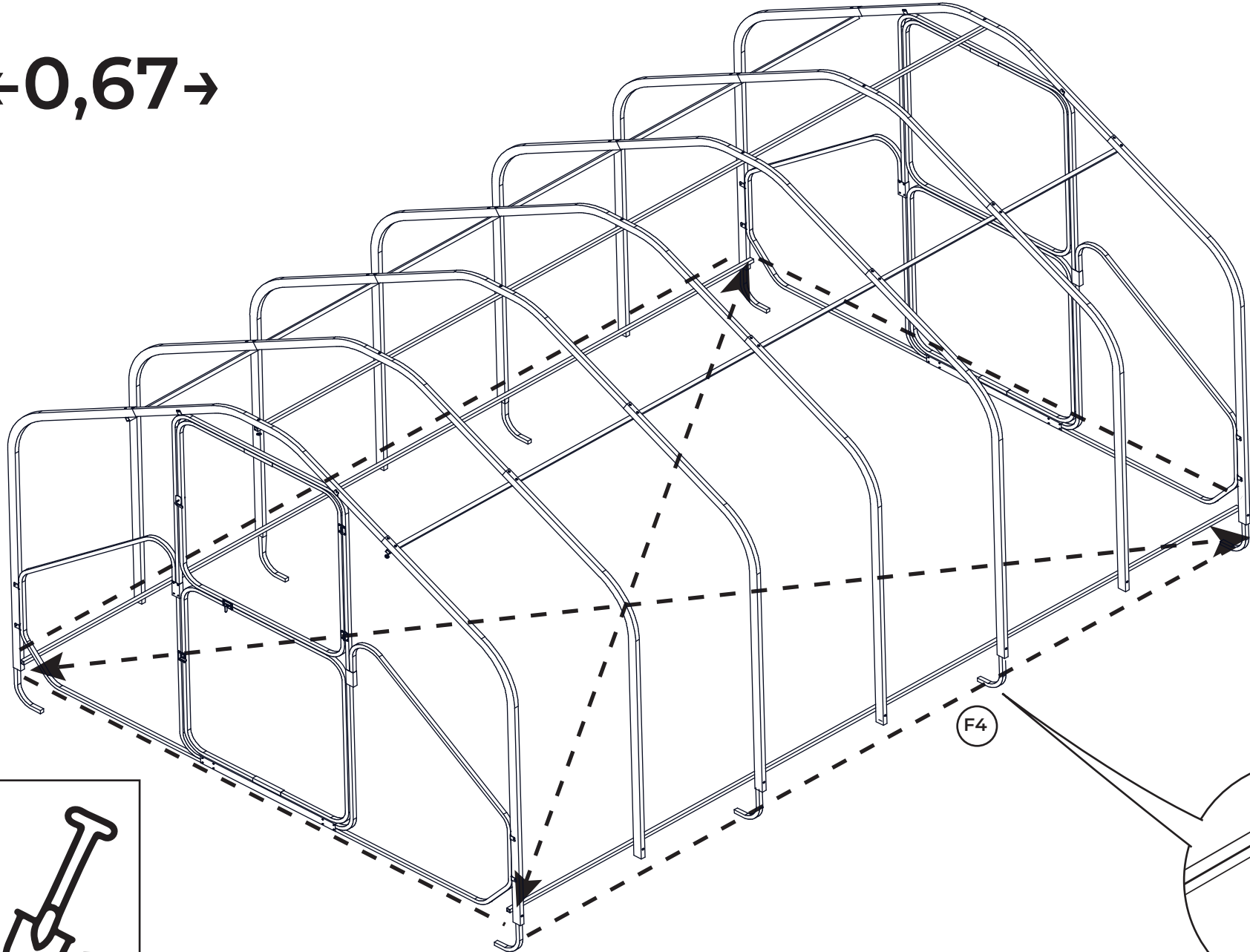
5

for ←1,00→

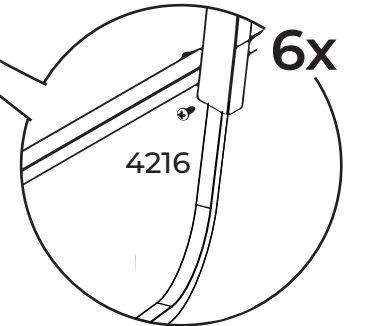


6

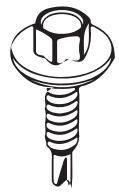
for $\leftarrow 0,67 \rightarrow$



F4

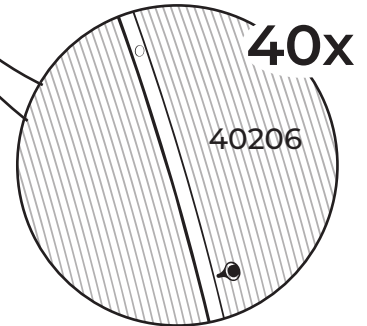
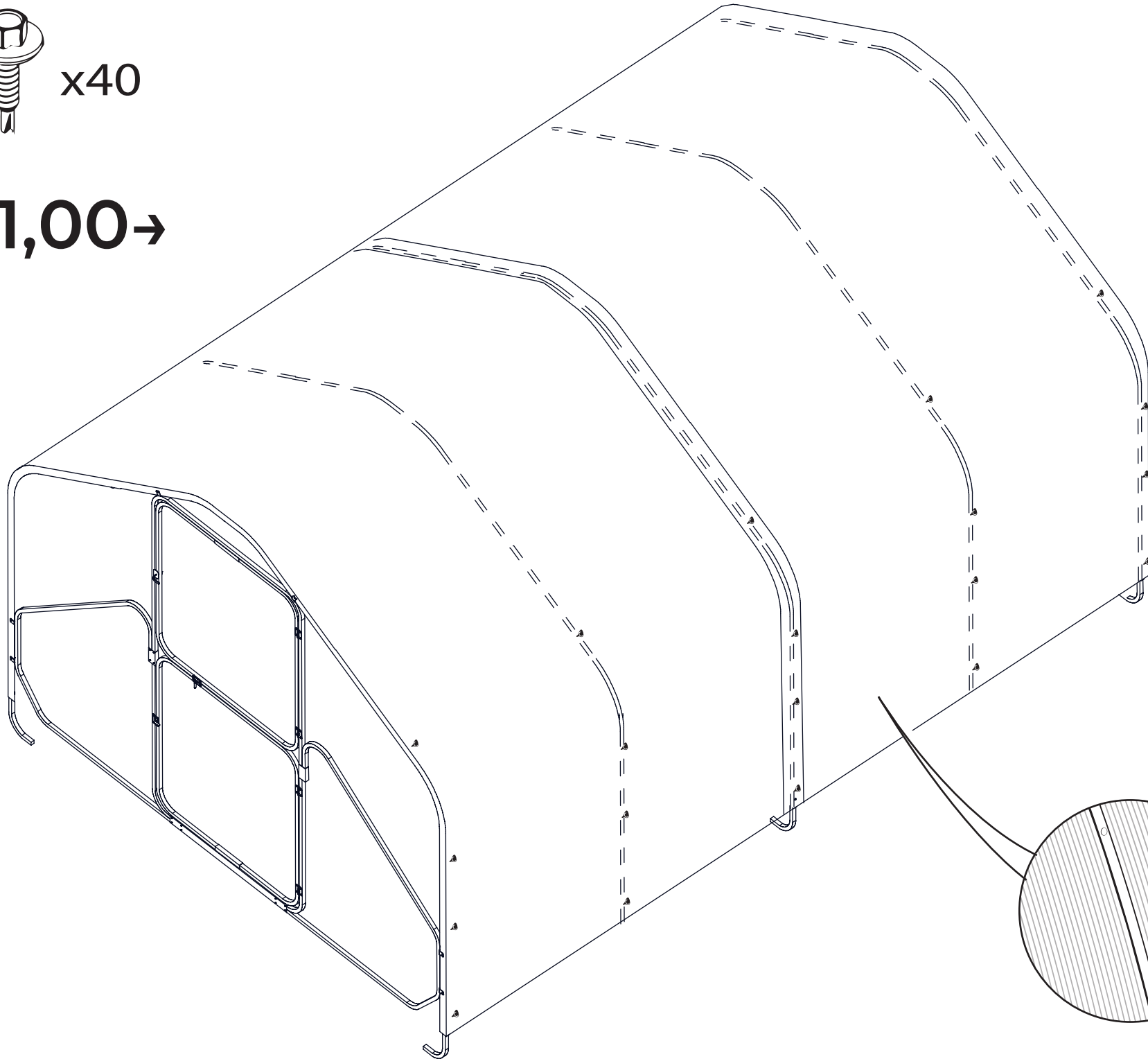


7

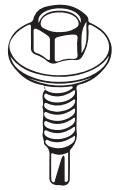


x40

for ←1,00→

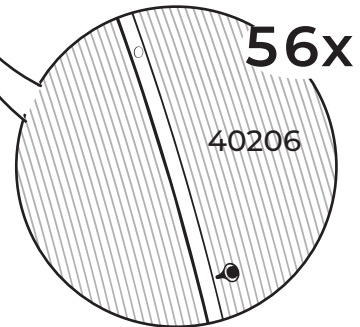
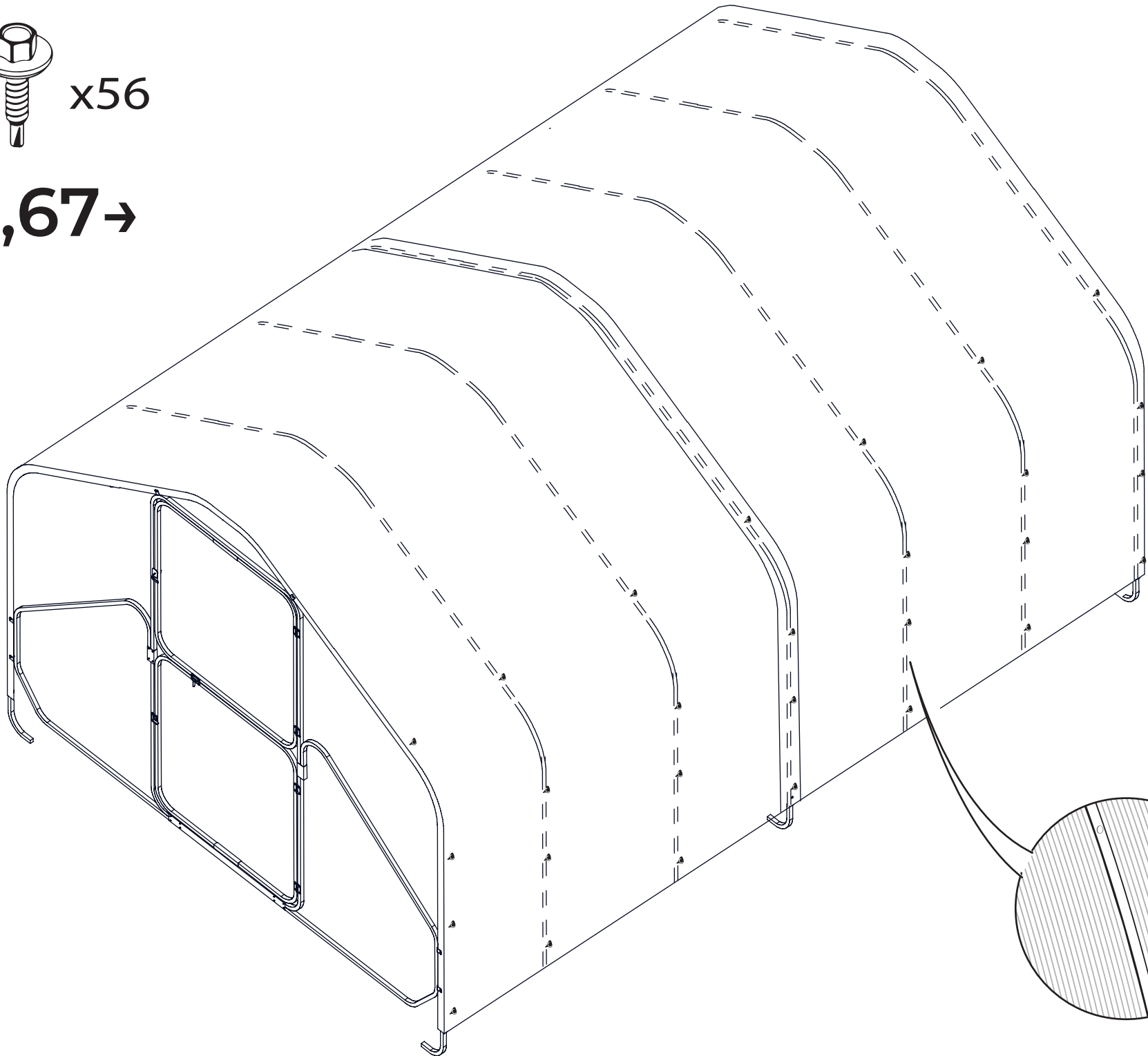


8

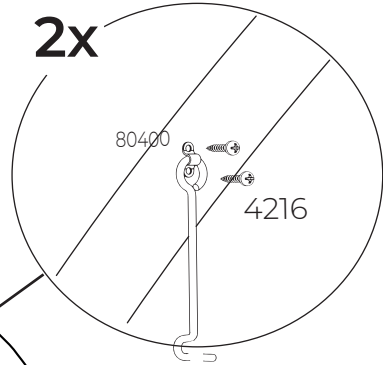
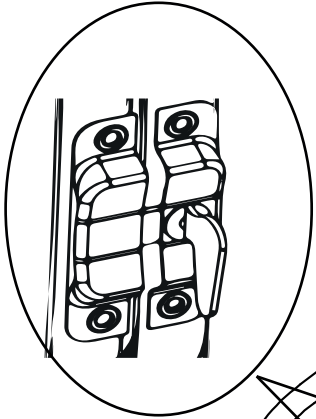
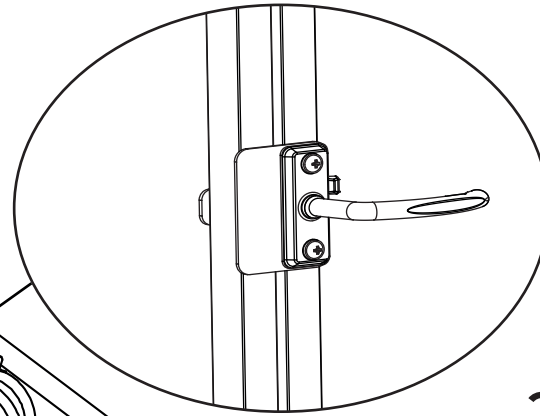
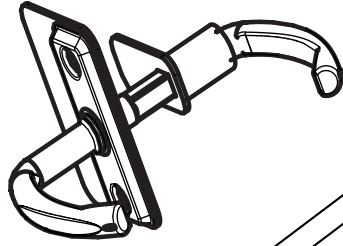


x56

for ←0,67→

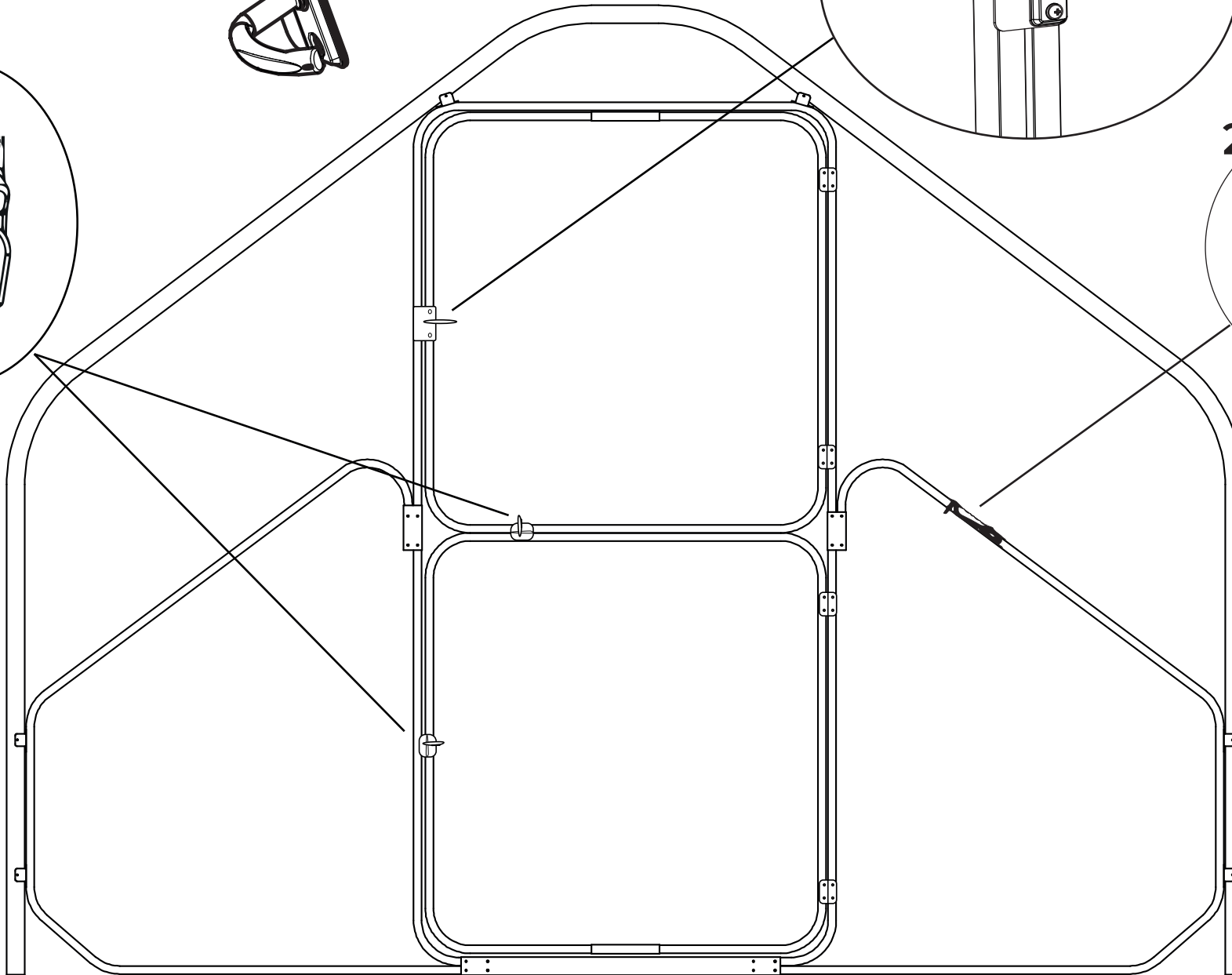


9

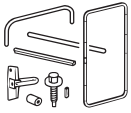


2x

2x



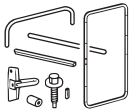
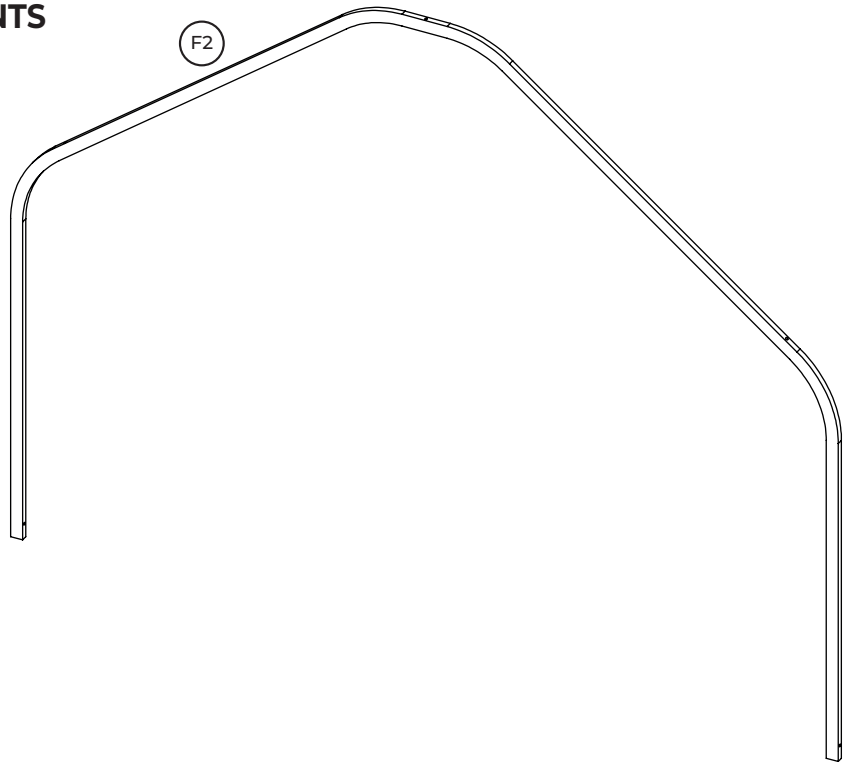
EXTENSION KIT + 2m



INCLUDED COMPONENTS
2.75x2m

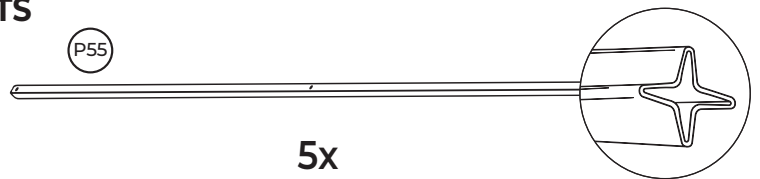
ARCHES

2X for ←1,00→
3X for ←0,67→



INCLUDED COMPONENTS
2.75x2m

CROSSBARS EXTENSION

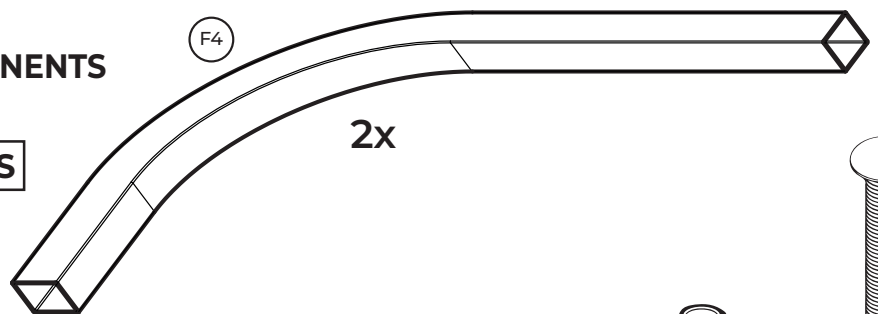


5x

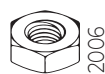


INCLUDED COMPONENTS
2.75x2

FASTENERS FOR ARCHES



2x

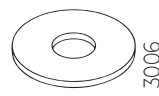


10x

+

for ←0,67→

5x



10x

+

5x



2x

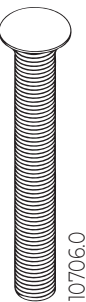
+



16x

+

8x



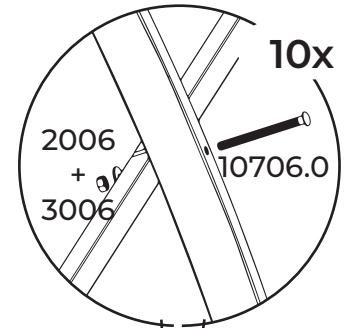
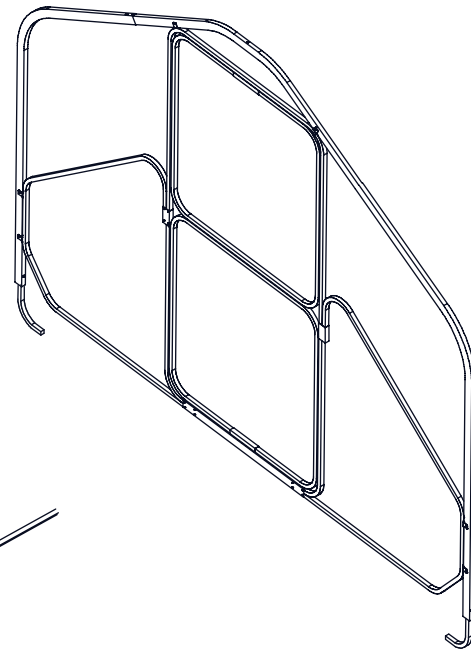
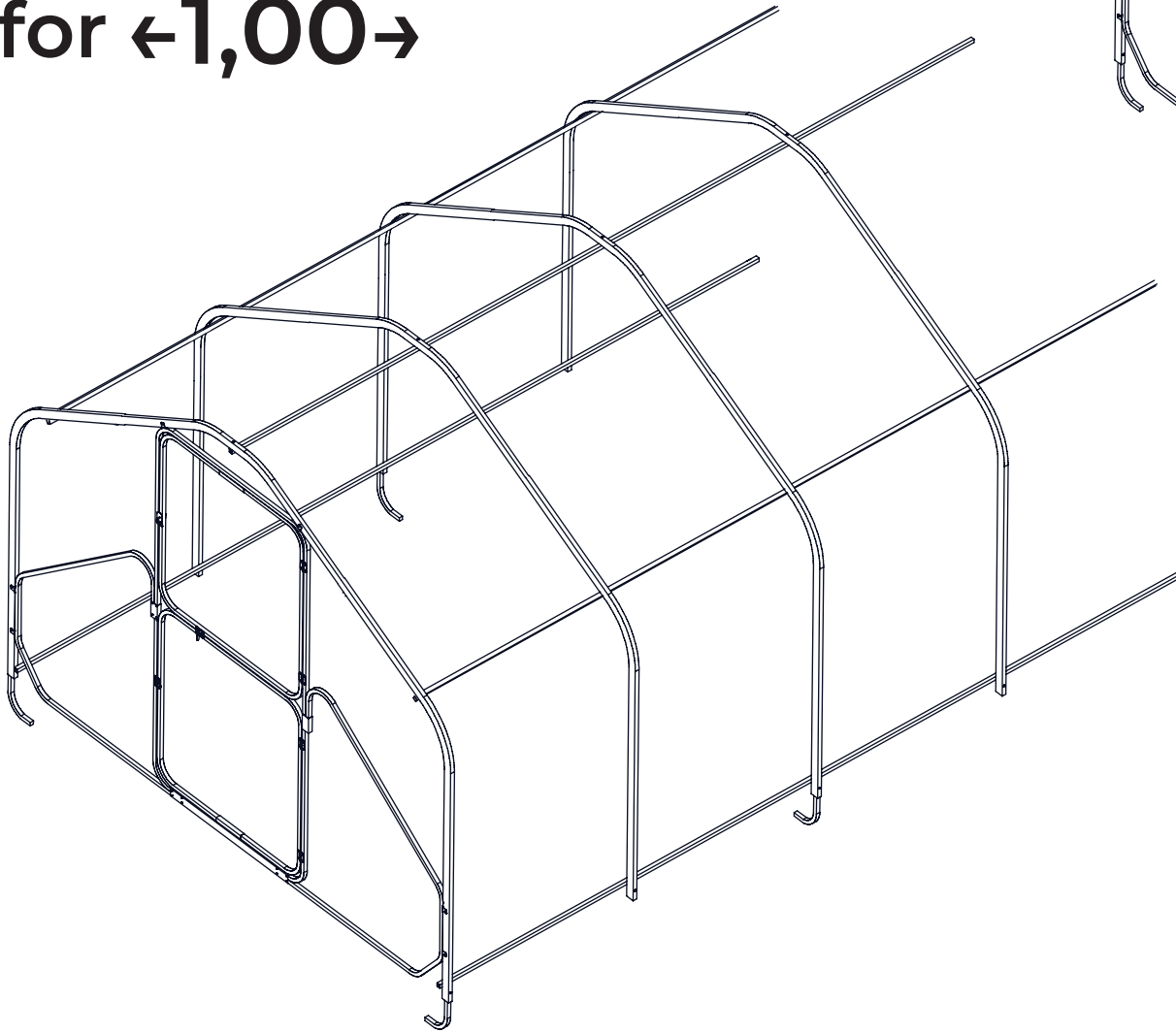
10x

+

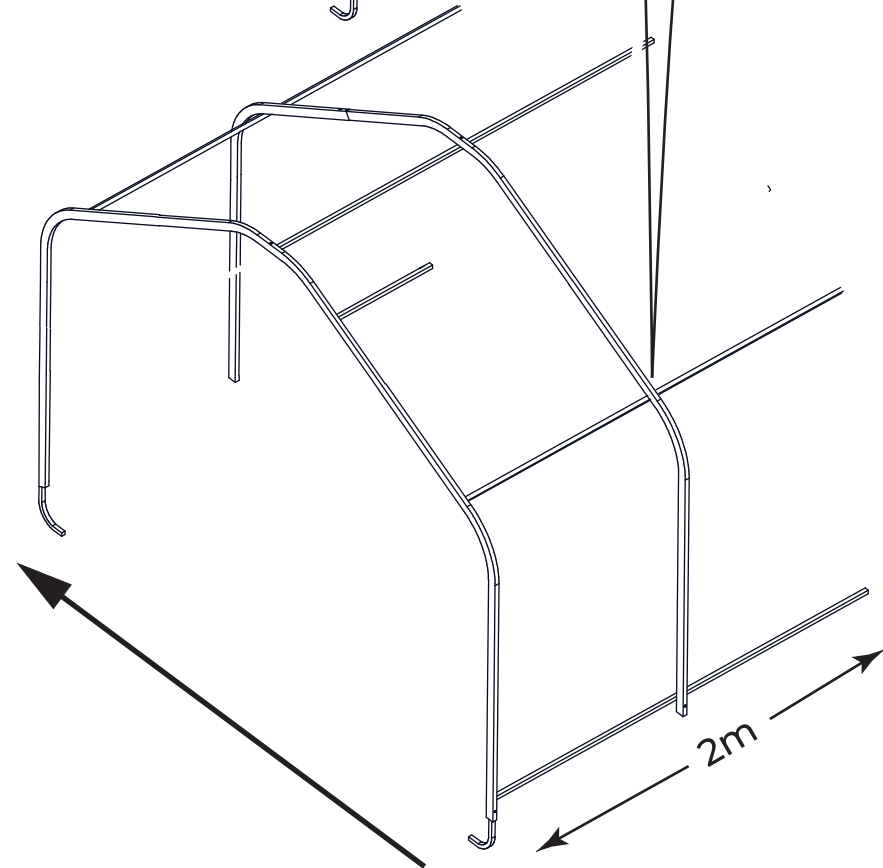
5x

10++

for ←1,00→



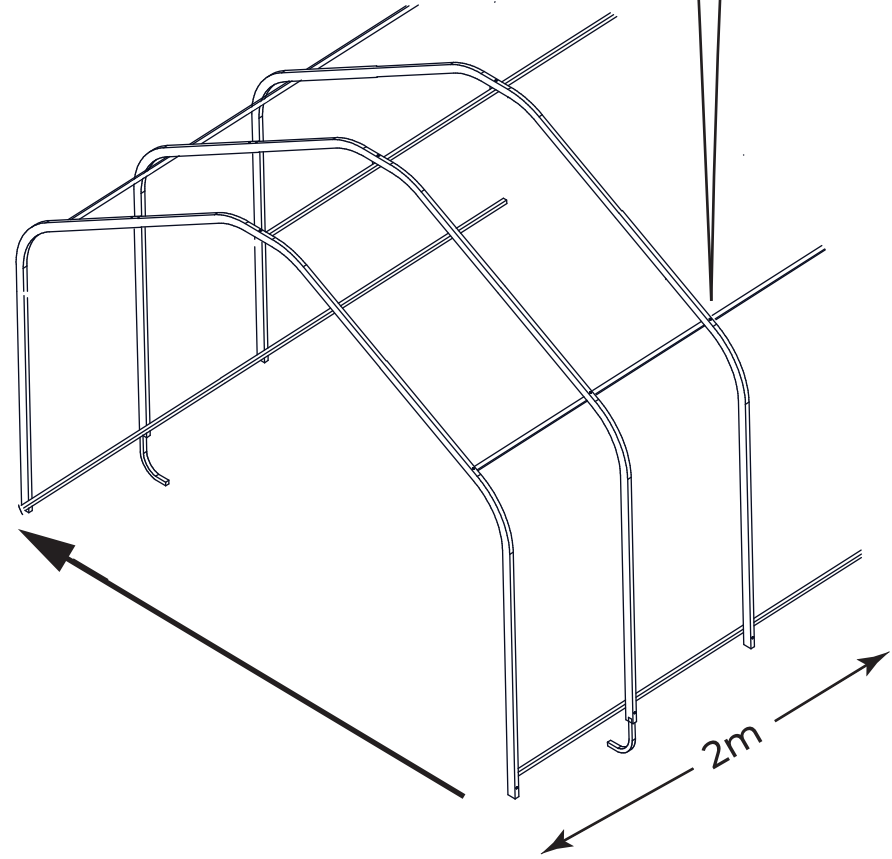
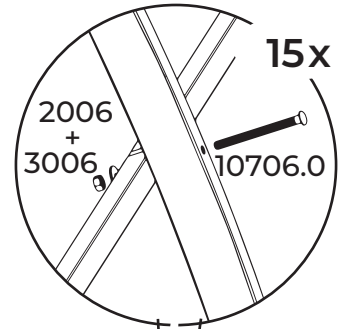
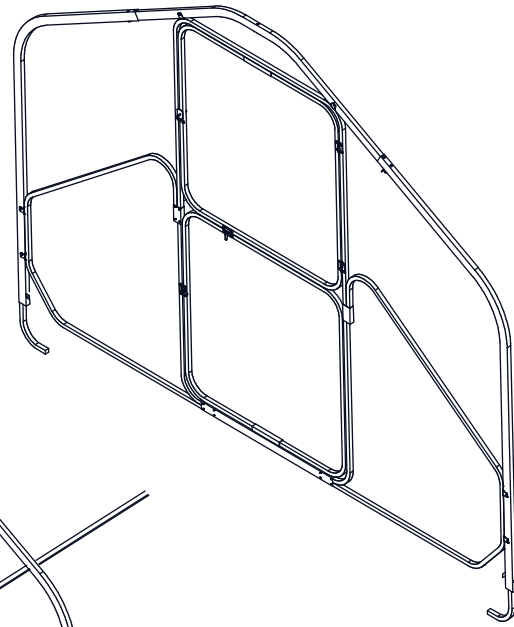
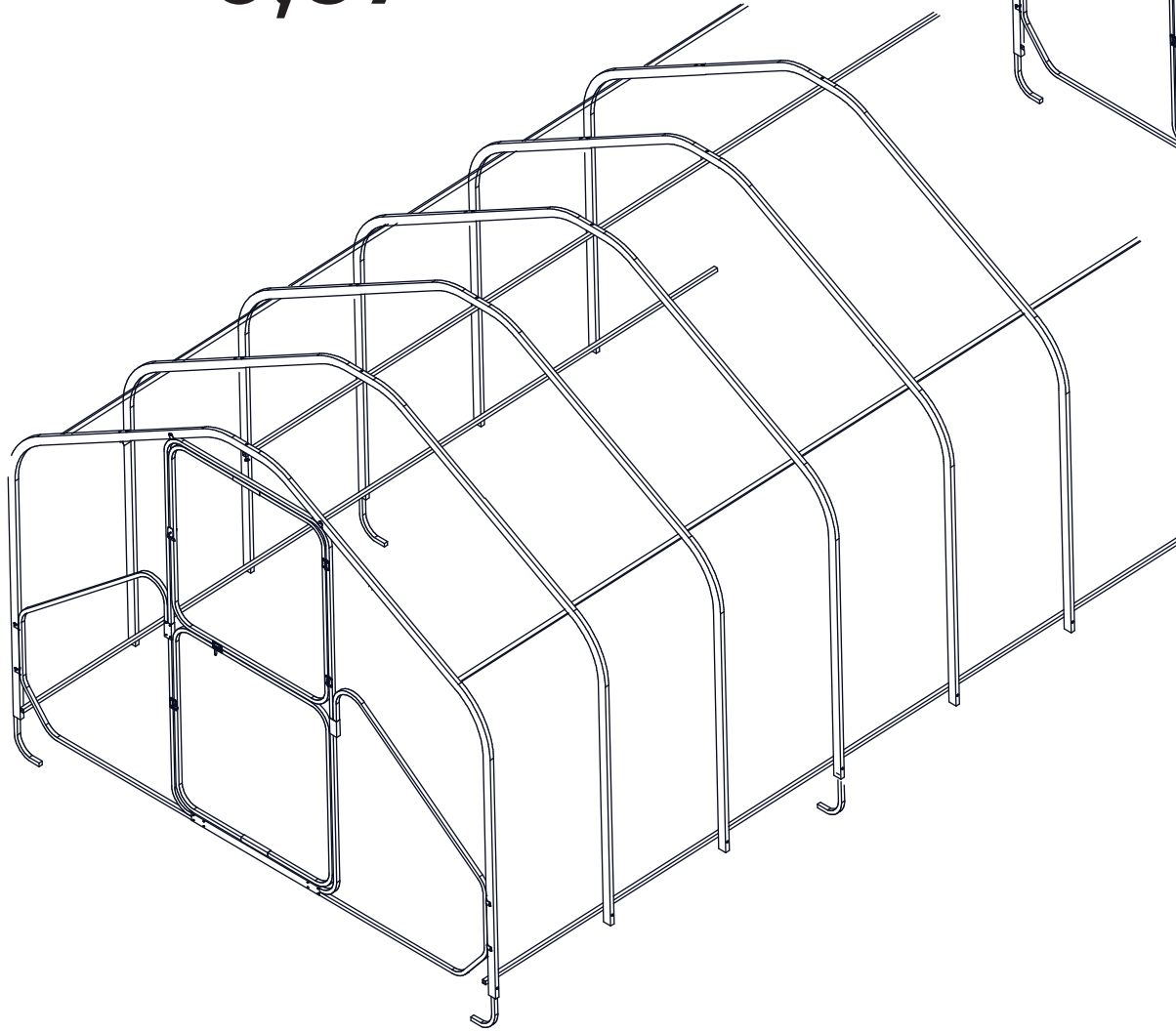
10x
2006
+
3006
10706.0



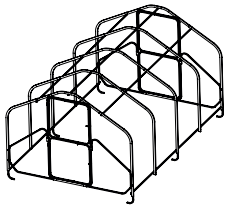
2m

11++

for $\leftarrow 0,67 \rightarrow$

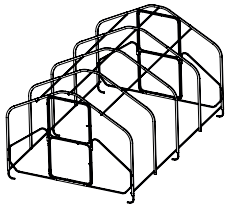


←1,00→ Boxes



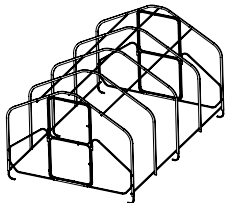
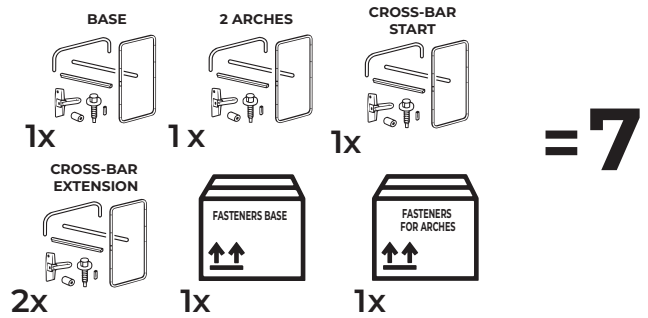
2,75x4m

3x 2,1x6m
POLYCARBONATE



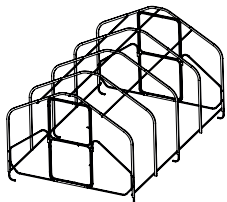
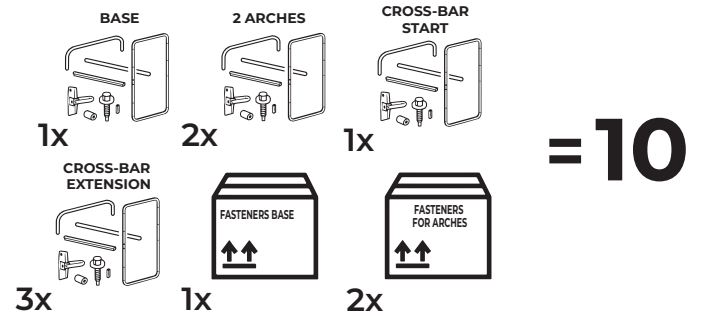
2,75x6m

4x 2,1x6m
POLYCARBONATE



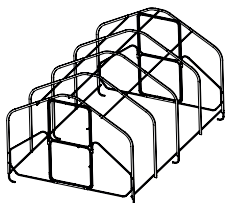
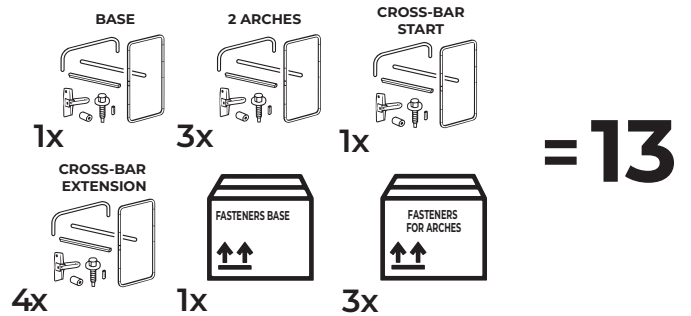
2,75x8m

5x 2,1x6m
POLYCARBONATE



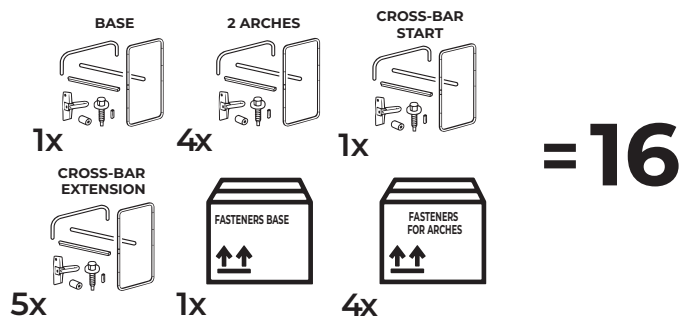
2,75x10m

6x 2,1x6m
POLYCARBONATE

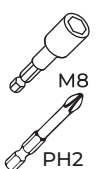


2,75x12m

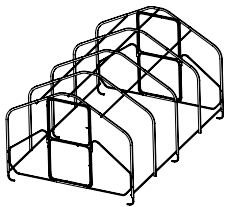
7x 2,1x6m
POLYCARBONATE



NECESSARY TOOL

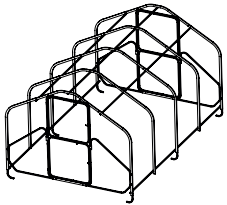
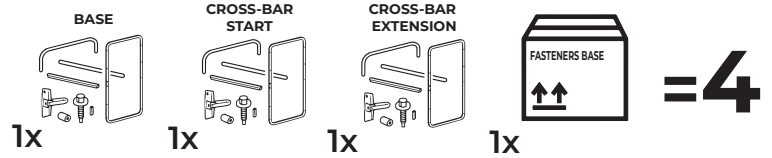


←0,67→ Boxes



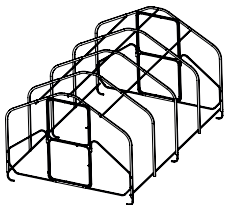
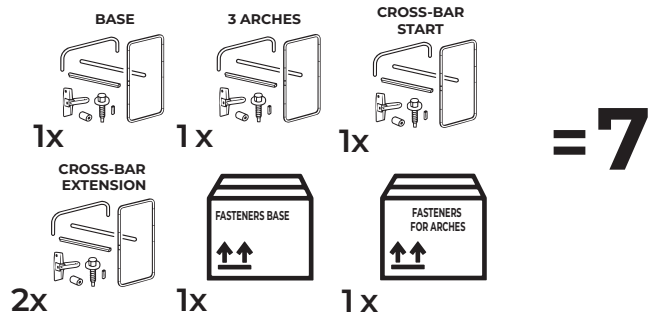
2,75x4m

3x 2,1x6m
POLYCARBONATE



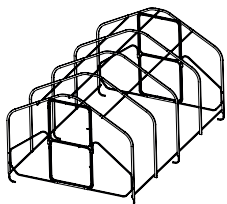
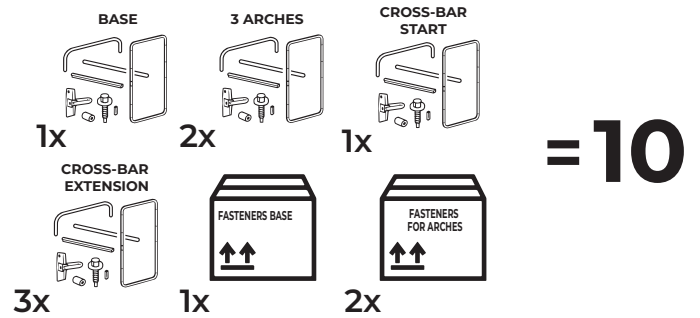
2,75x6m

4x 2,1x6m
POLYCARBONATE



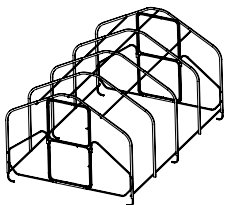
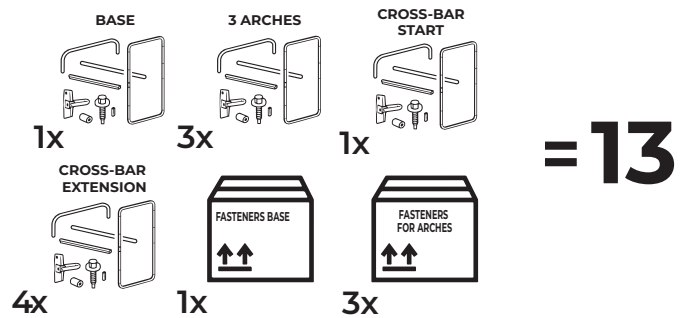
2,75x8m

5x 2,1x6m
POLYCARBONATE



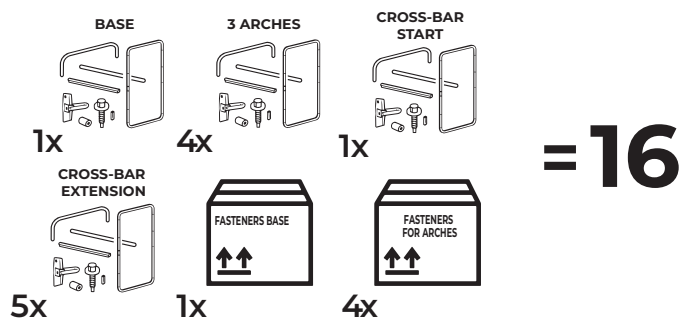
2,75x10m

6x 2,1x6m
POLYCARBONATE



2,75x12m

7x 2,1x6m
POLYCARBONATE



NECESSARY TOOL

